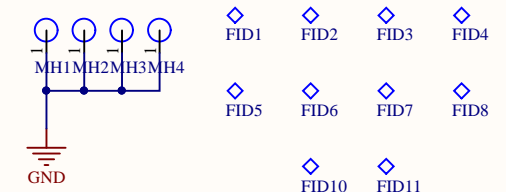
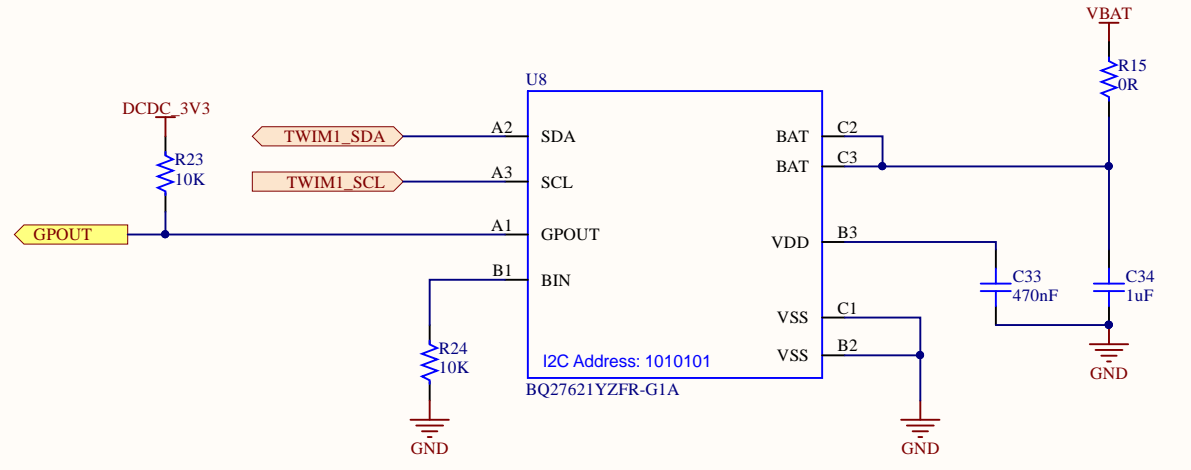
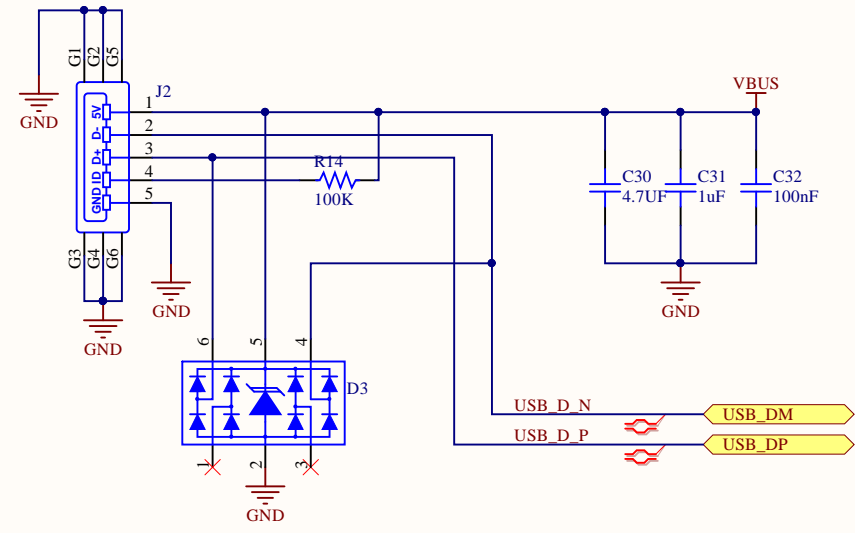


PRIMARY CELL USE:
FITTED: R9
NOT FITTED: R7, R8, R15

RECHARGEABLE CELL USE:
FITTED: R7, R8, R15
NOT FITTED: R9

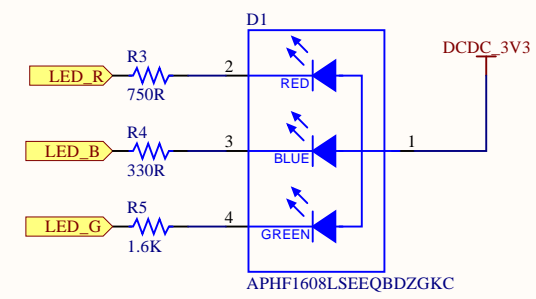
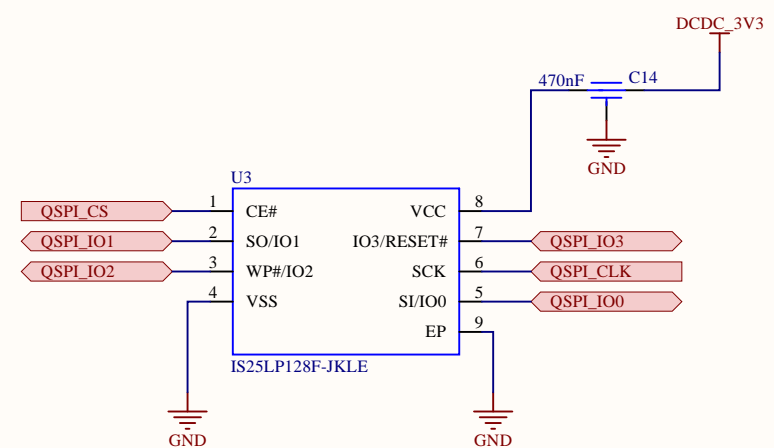
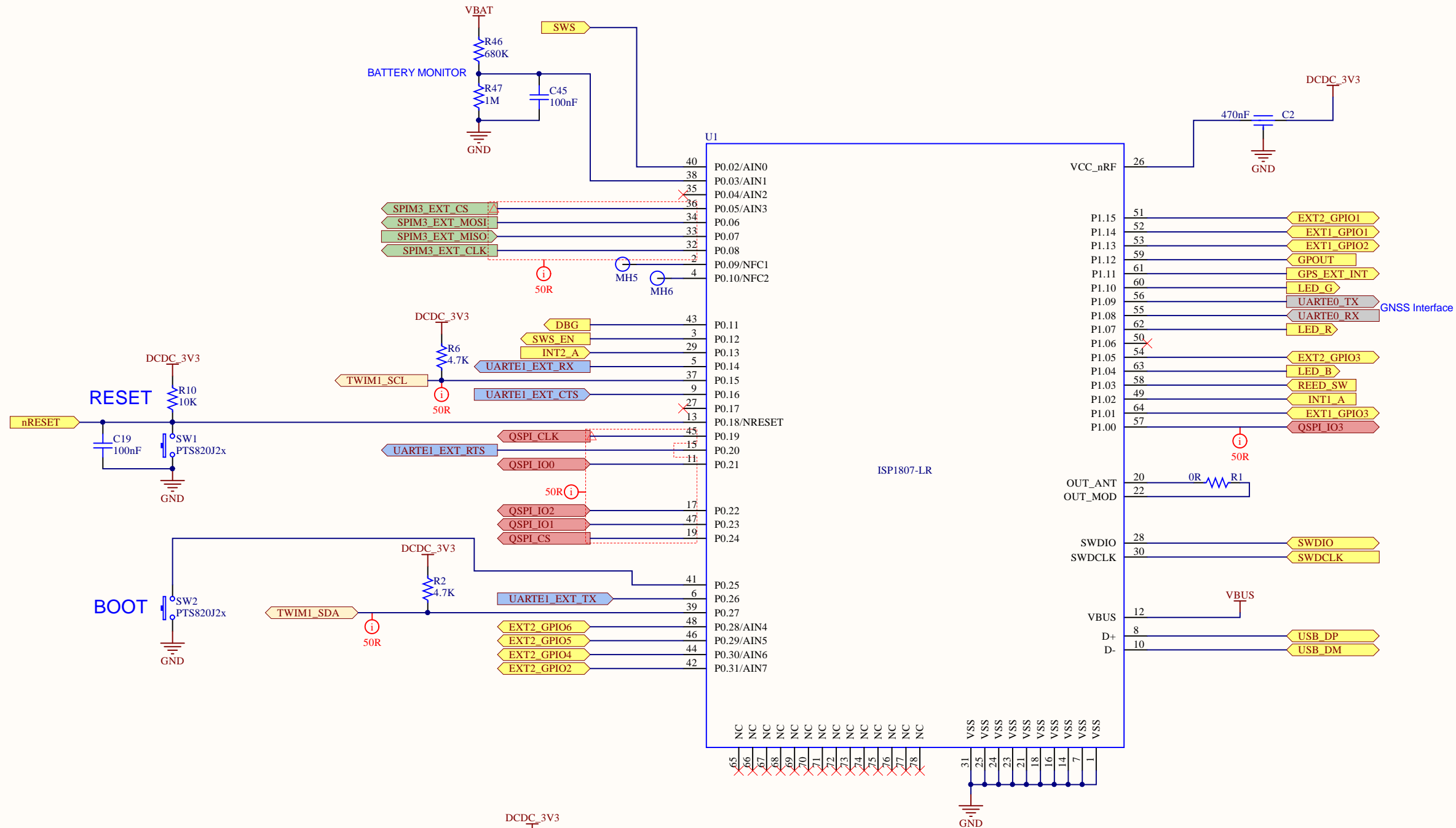



ICOTEQ

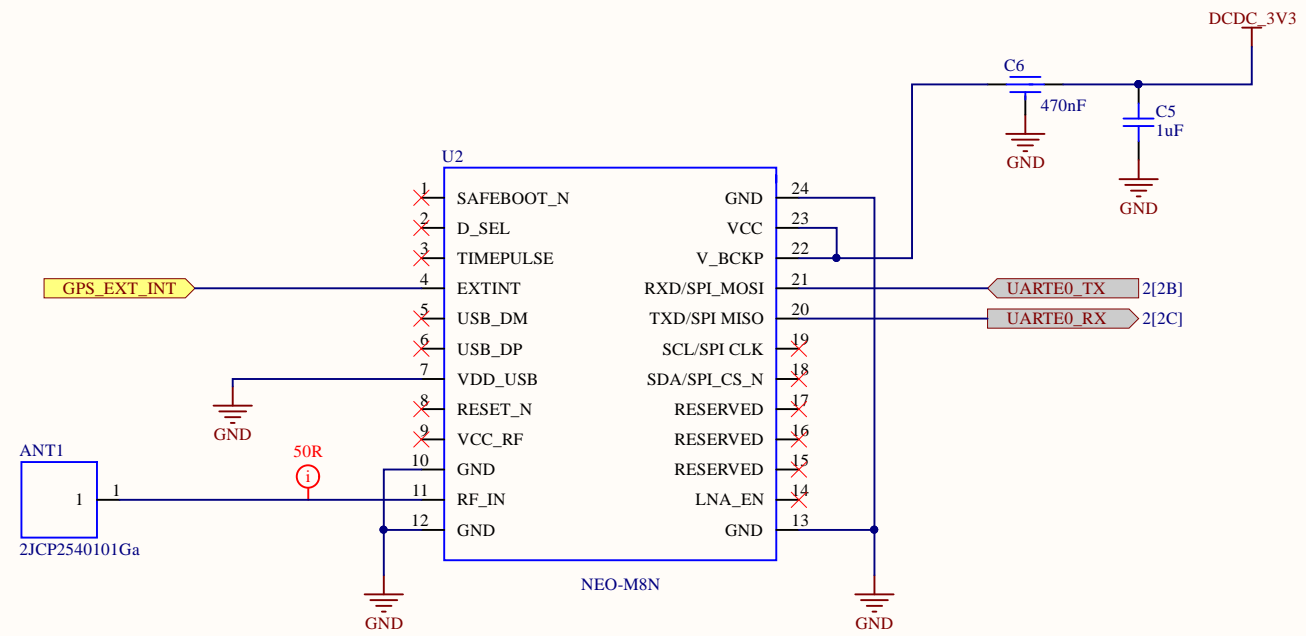
Icoteq Ltd
Cambridge House
1 Henry Street
Bath
BA1 1BT


Title : **Arribada - Horizon Kit v4**

Size : A3	Number : Power Supplies	Revision : 4.0
Date : 21st January 2020	Sheet 1 of 4	Drawn By : Craig Rackstraw

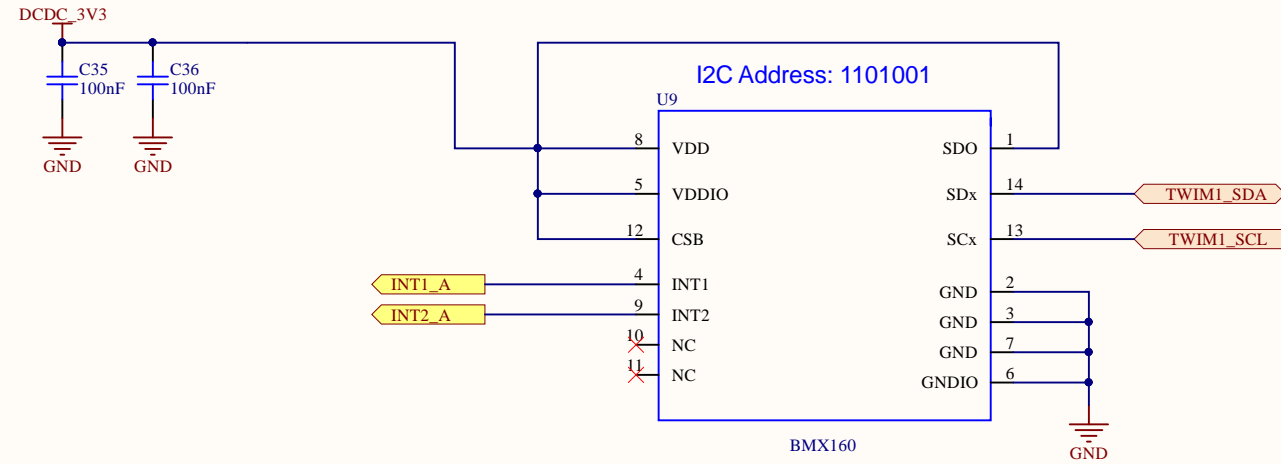


		Icoteq Ltd Cambridge House 1 Henry Street Bath BA1 1BT	
		Title : Arribada - Horizon Kit v4	
Size : A3	Number : MCU & Bluetooth	Revision : 4.0	
Date : 21st January 2020	Sheet 2 of 4	Drawn By : Craig Rackstraw	
File :			

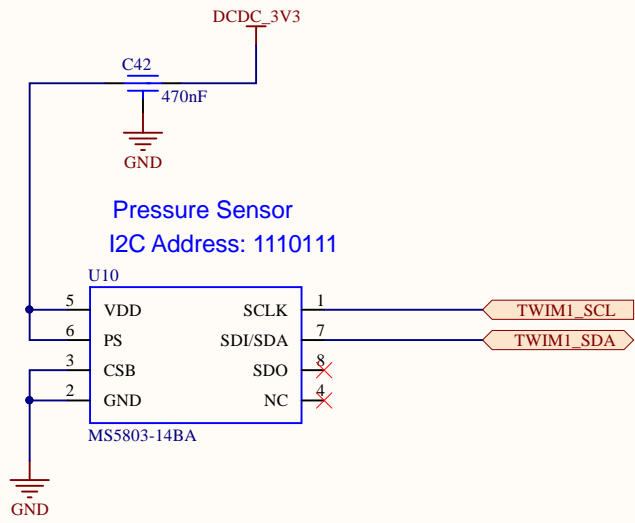


		Icoteq Ltd Cambridge House 1 Henry Street Bath BA1 1BT	
		Title : Arribada - Horizon Kit v4	
Size : A3	Number : GNSS Module	Revision : 4.0	
Date : 21st January 2020	Sheet 3 of 4	Drawn By : Craig Rackstraw	
File :			

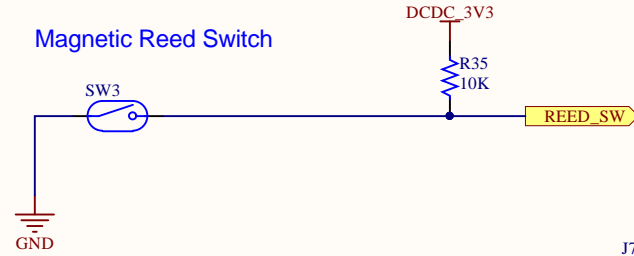
Accelerometer, Magnetometer, Gyroscope, Temperature Sensor



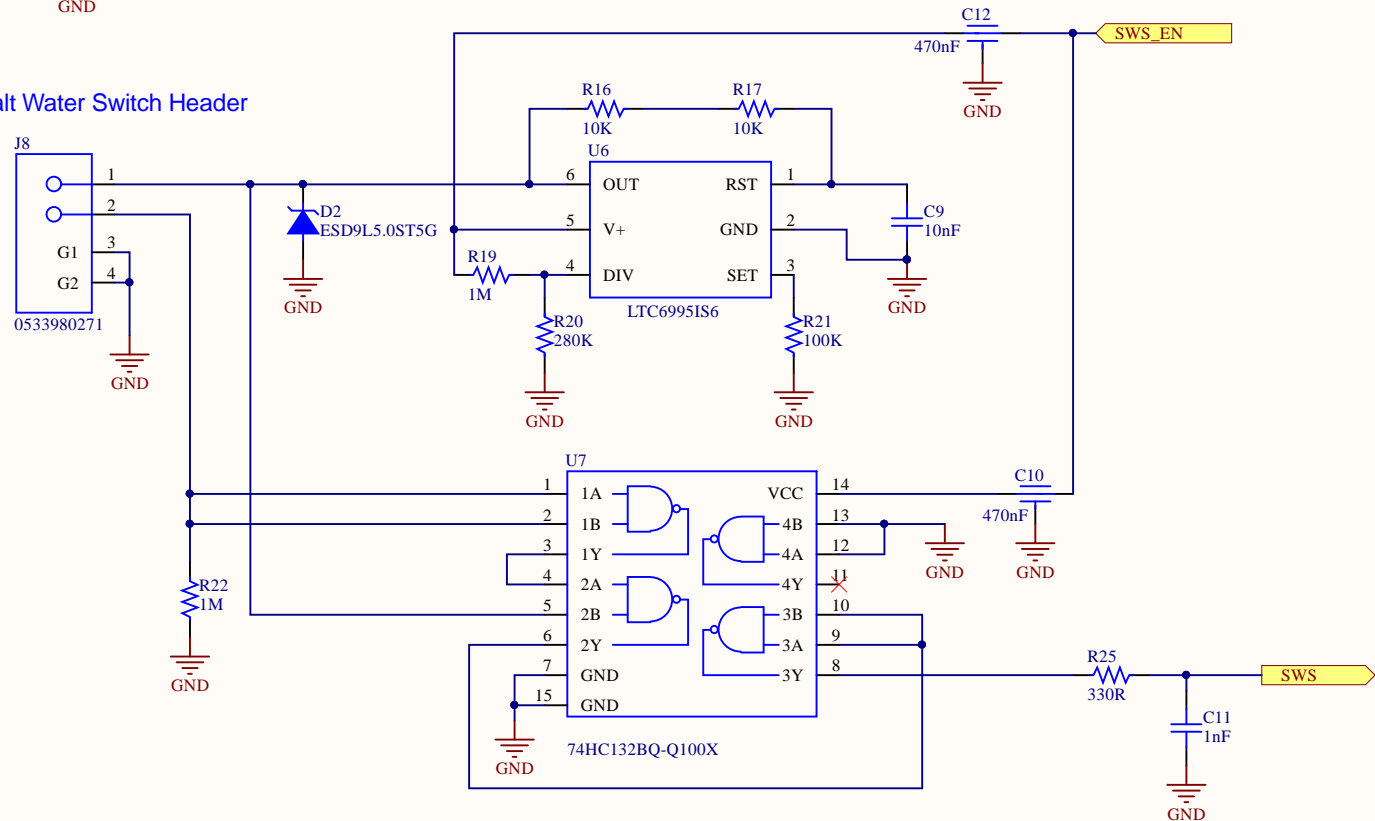
Pressure Sensor
I2C Address: 1110111



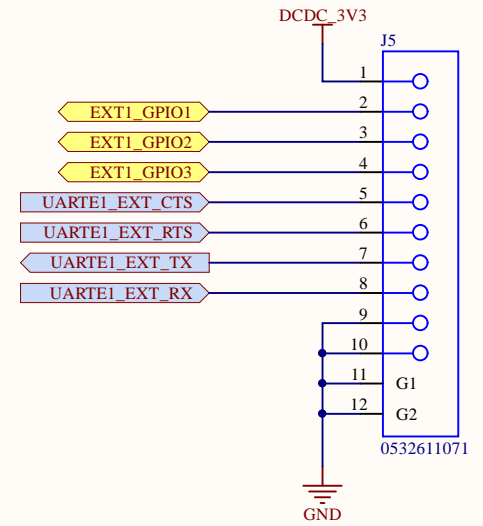
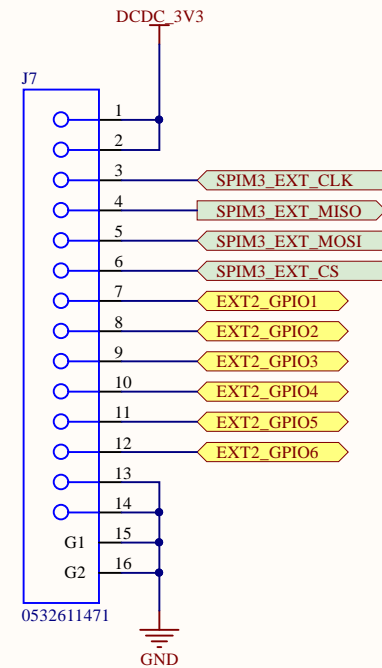
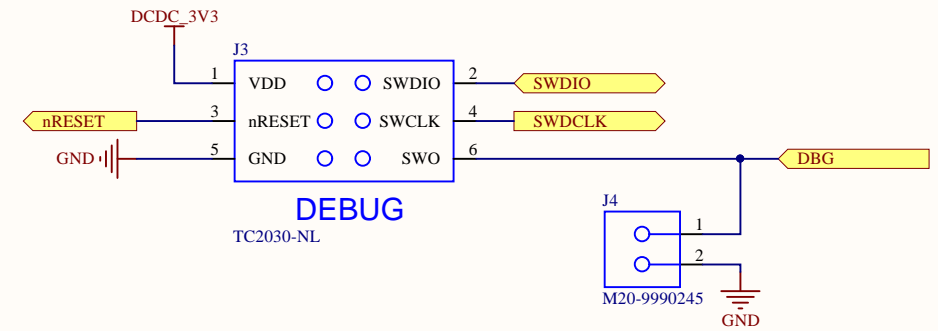
Magnetic Reed Switch




Salt Water Switch Header



DEBUG



		Icoteq Ltd Cambridge House 1 Henry Street Bath BA1 1BT	
		Title : Arribada - Horizon Kit v4	
Size : A3	Number : Sensors and Interfaces	Revision : 4.0	
Date : 21st January 2020	Sheet 4 of 4	Drawn By : Craig Rackstraw	
File :			